

Automate Your Snow Melting System



tekmar BACnet Snow/Ice Sensor Interface 681



Detect snow or ice and automatically operate snow melting systems with tekmar BACnet Snow/Ice Sensor Interface 681. Using tekmar snow/ice sensor technology, the 681 automatically interfaces with a Building Automation System through BACnet MS/TP to operate electric or hydronic snow melting systems.

Easy Integration with Your Building Automation System

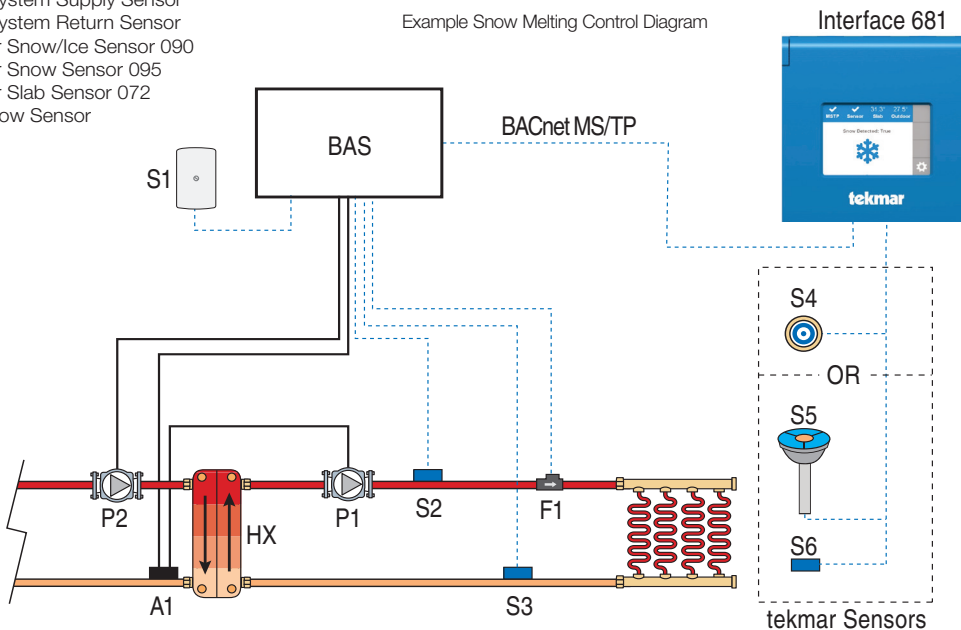
tekmar 681 seamlessly integrates with your BAS to start snow melting when snow or ice is detected – and stop snow melting once it has melted.

tekmar 681 Features:

- Automatically detect snow and ice with aerial, in-slab, and slab sensor technology
- Interfaces with a Building Automation System to automatically operate snow melting systems
- Communicates through BACnet MS/TP protocol
- Increase energy savings with features like Warm Weather Shut Down, Cold Weather Cut Off, and Slab Target Temperature
- Supports DIN rail and panel mount applications

Legend

A1 = Freeze Protection Aquastat
HX = Heat Exchanger
P1 = System Pump
P2 = On/Off Injection Pump
S1 = BAS Outdoor Sensor
S2 = BAS System Supply Sensor
S3 = BAS System Return Sensor
S4 = tekmar Snow/Ice Sensor 090
S5 = tekmar Snow Sensor 095
S6 = tekmar Slab Sensor 072
F1 = BAS Flow Sensor



tekmar[®]

A WATTS Brand

PF-T-681 2117

Scan to
learn more



T: (250) 545-7749 • Fax: (250) 984-0815
tekmarControls.com

© 2021 tekmar