

tekmar® Submittal

tekmarNet® 2 Wiring Center 313



Zoning

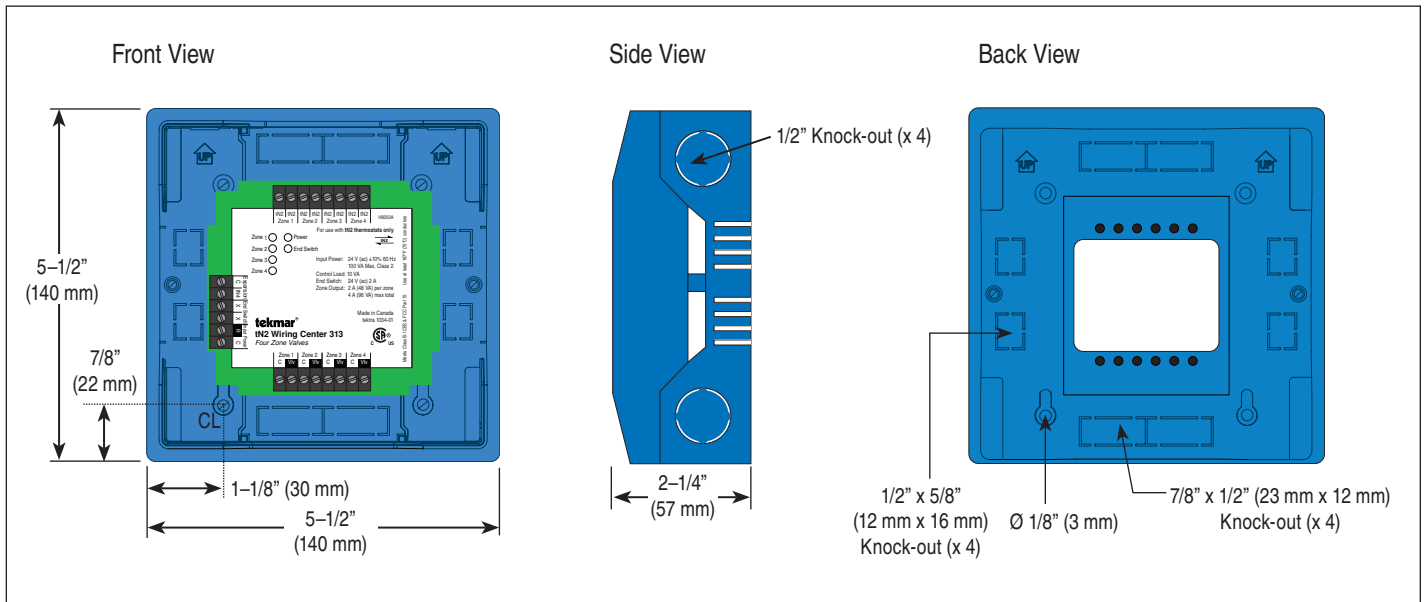
C313

01/11

Replaces: New

Job _____ Designer _____ Contact _____

The tekmarNet® 2 Wiring Center 313 is designed to provide a zoning solution for heating systems. It can be used in applications ranging from baseboard zones, to remote manifolds for radiant heating. This product energizes up to 4 zone valves. It is capable of providing power for up to 4 tekmarNet® 2 thermostats, and energizing their respective 24 V (ac) zones, as well as providing an end switch closure to enable an external device such as a boiler.



Specifications

tN2 Wiring Center 313 Four Zone Valves	
Literature	D313, Q313
Control	Microprocessor control. This is not a safety (limit) control
Packaged weight	1.4 lb (640 g)
Dimensions	5.5" H x 5.5" W x 2.25" D (140 x 140 x 57 mm)
Enclosure	Blue PC+ABS plastic, NEMA type 1
Approvals	CSA C US, meets class B: ICES & FCC Part 15
Ambient conditions	Indoor use only, 32 to 122°F (0 to 50°C), RH ≤90% Non-condensing
Power supply	24 V (ac) ±10%, 60 Hz, 100 VA max, Class 2
Zone valve load	24 V (ac) 2 A, maximum combined current (zones 1 to 4): 4 A
End switch relay	24 V (ac) 2 A
Warranty	Limited 3 Year (See D313 for full warranty)

Features

- Four 24 V (ac) powered zone outputs
- For use with tekmarNet® 2 thermostats ONLY
- Supports two-stage tekmarNet® 2 thermostats
- tN4 expansion terminals
- Isolated end switch
- External diagnostic LEDs
- CSA C US certified for use in USA and Canada

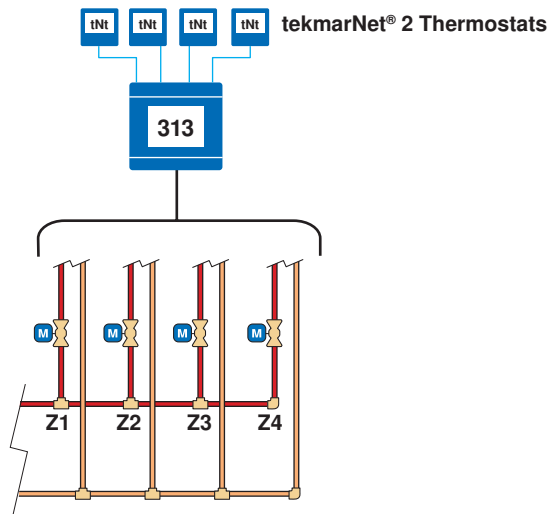
SPECIAL REQUIREMENTS

This control is designed for use ONLY with tekmarNet® 2 Thermostats.

Sample Application Drawing

Below is a sample application drawing for this product. This application may include other tekmar products that are required for installation. More sample applications can be found at www.tekmarcontrols.com.

Sample Mechanical diagram



Sample Electrical diagram

Legend
 Z1 = Zone 1
 Z2 = Zone 2
 Z3 = Zone 3
 Z4 = Zone 4

