

tekmar® Submittal

tN4 Wiring Center 316



Zoning

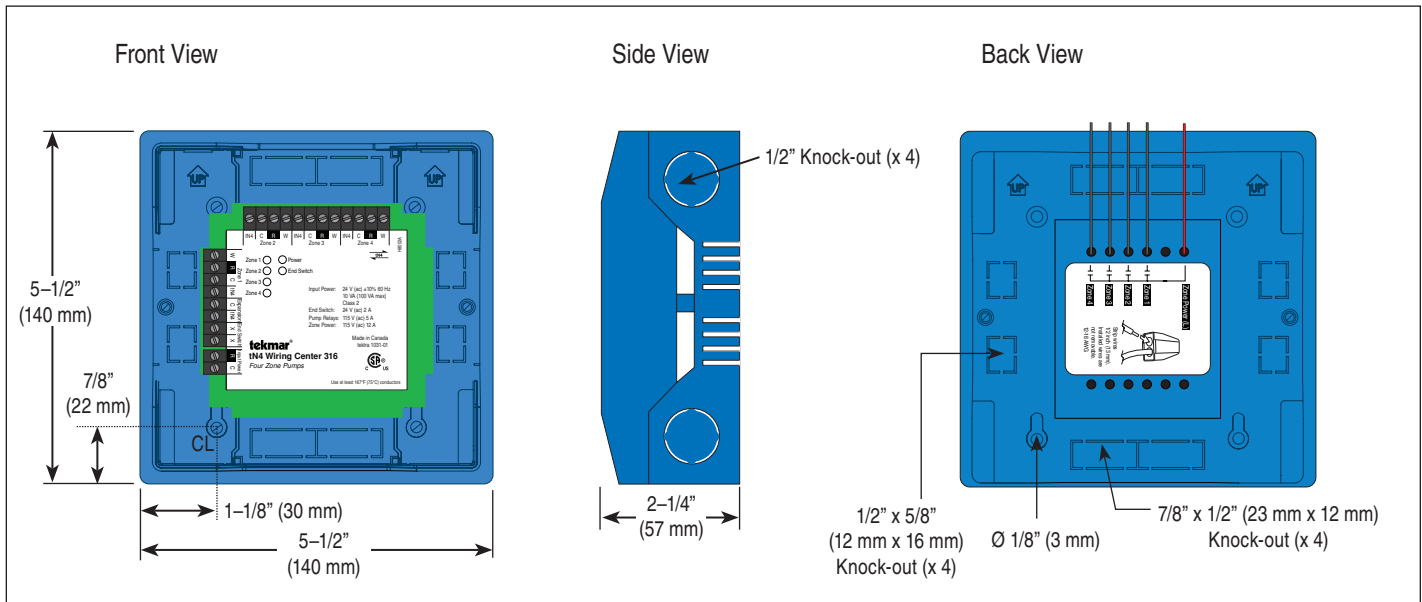
C316

05/11

Replaces: 01/11

Job _____ Designer _____ Contact _____

The tekmarNet® 4 Wiring Center 316 is designed to provide a zoning solution for heating systems. It can be used in applications ranging from baseboard zones, to radiant heating zones. This control energizes up to 4 zone pumps. It is capable of providing power for up to 4 tekmarNet® 4 or stand alone thermostats and energizing their respective 115 V (ac) zones, as well as providing an end switch closure to enable an external device such as a boiler.



Specifications

tN4 Wiring Center 316 Four Zone Pumps	
Literature	D316, Q316, C316
Control	Microprocessor control. This is not a safety (limit) control
Packaged weight	1.4 lbs (630 g)
Dimensions	5.5" H x 5.5" W x 2.25" D (140 x 140 x 57 mm)
Enclosure	Blue PC+ABS plastic, NEMA type 1
Approvals	CSA C US, meets class B: ICES & FCC Part 15
Ambient conditions	Indoor use only, 32 to 122°F (0 to 50°C), RH ≤90% Non-condensing
Power supply	24 V (ac) ±10%, 60 Hz, 3 VA min, 11 VA max, Class 2
Zone pump relays	115 V (ac) 5 A
End switch relay	24 V (ac) 2 A
Zone power input	115 V (ac) 12 A max
Warranty	Limited 3 Year (See D316 for full warranty)

Features

- Four 115 V (ac) powered zone outputs
- For use with tekmarNet® 4 thermostats
- tN4 expansion terminals
- Isolated end switch
- External diagnostic LEDs
- CSA C US Certified for use in USA and Canada

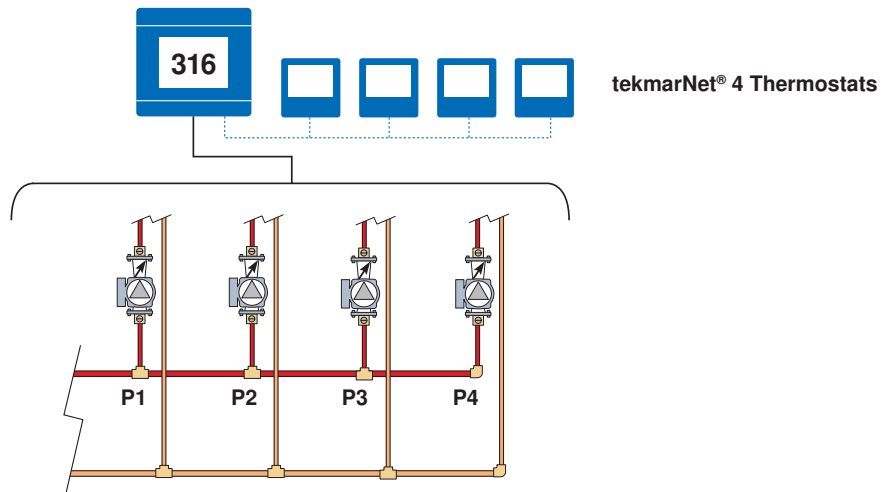
SPECIAL REQUIREMENTS

Designed for use with tekmarNet® 4 Thermostats.

Sample Application Drawing

Below is a sample application drawing for this product. This application may include other tekmar products that are required for installation. More sample applications can be found at www.tekmarcontrols.com.

Sample Mechanical diagram

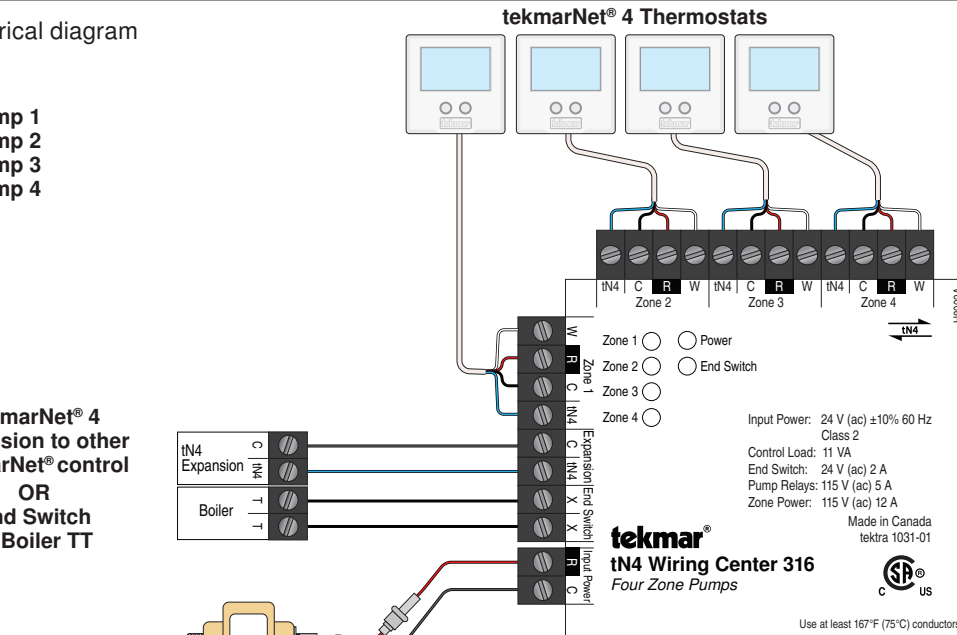


Sample Electrical diagram

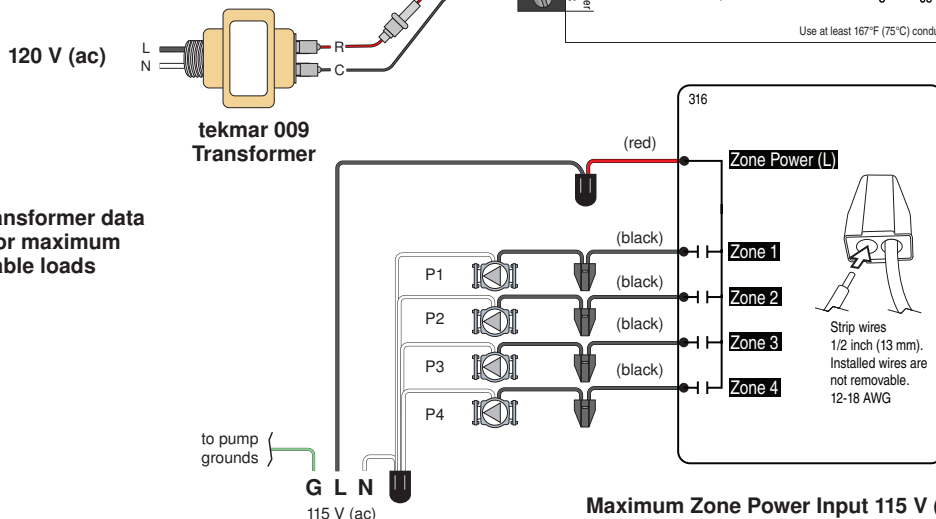
Legend

- P1 = Zone Pump 1
- P2 = Zone Pump 2
- P3 = Zone Pump 3
- P4 = Zone Pump 4

tekmarNet® 4 expansion to other tekmarNet® control OR End Switch to Boiler TT



Refer to transformer data sheets for maximum allowable loads



Back of Wiring Center



tekmar Control Systems Ltd., Canada, tekmar Control Systems, Inc., U.S.A. Head Office: 5100 Silver Star Road, Vernon, B.C. Canada V1B 3K4, 250-545-7749, Fax. 250-545-0650 Web Site: www.tekmarcontrols.com

