

Installing House Controls 400, 401, 402 and 403 with Modulating Boilers

The following table describes the essential setting required for the House Control 400, 401, 402 and 403, when installed with some of the most common modulating boilers on the market. For a complete list of compatible boilers, please refer to tekmar Service Bulletin SB 032.

Table 1: Essential Settings on the House Control's for Several Different Boilers

Boiler Model	Boiler Type	Boiler Motor (sec)	Minimum Modulation (%)	Modulation Delay (min)	Required Equipment from Boiler Manufacturer	Boiler Control Setting		
						Parameter	Setting	Reference
Buderus GB142, 162, 312	0-10	10	30	0:10	EM10 Module	None	None	None
Burnham Alpine	4-20	30	0	0:10	None	Central Heating Modulation Source	4-20mA	p.109 I&O Manual
Dunkirk Q95M-200	0-10	10	18	1:45	HAM 0-10VDC Module	Parameter 34 [P .34]	[- - 04]	p.3 Ham Installation Instructions
Heat Transfer Products Elite	0-10	24	16	0:00	None	Function 16	0-10 Volt	p.57 Installation Manual
						Function 17	Fan Speed	
Heat Transfer Products Munchkin	0-10	60	16	0:00	Munchkin Interface Board	Function 16	1	p.60 Boiler Manual
						Function 17	1	
Laars NeoTherm	4-20	30	0	0:50	None	None	None	None
Lochinvar Knight	0-10	16	20	0:10	None	H3	Active	p.24 Service Manual
Lochinvar Sync	0-10	16	20	0:10	None	Demand conf	3	p.19 Service Manual
Peerless PureFire REV2	0-10	50	20	0:00	Interface Adapter PFA-1	Heating Mode	Mode 5	p.43 I&O Manual
Triangle Tube Prestige Solo	0-10	90	18	2:05	None	Parameter 45	02	p.54 I&M Manual
Weil-McLain Ultra Series 3	0-10	60	20	0:30	None	ADD'L HEAT DEMAND	Type 4	p.64 Boiler Manual
Viessmann Vitodens 100	EMS 2	N/A	N/A	N/A	None	None	None	None

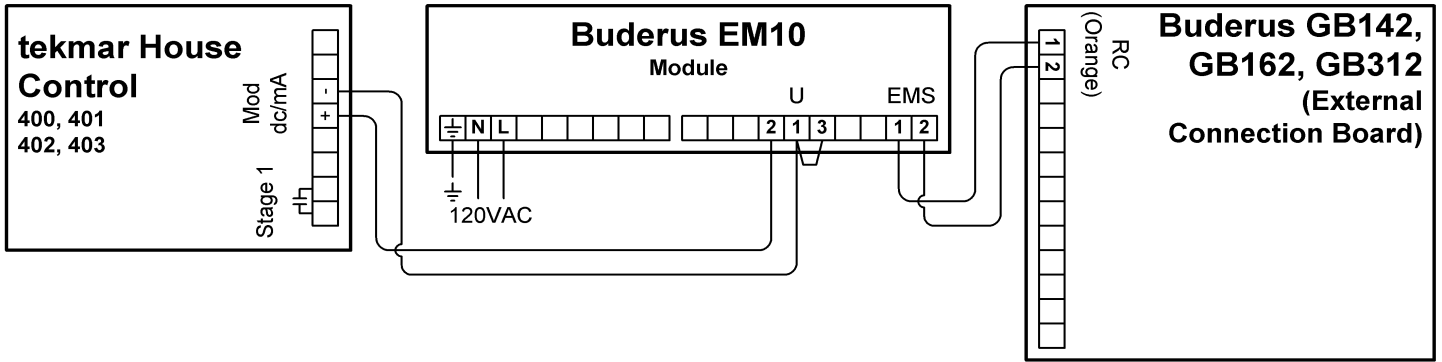


Figure 1: Wiring Diagram for a Buderus GB142, GB162 and GB312 Boilers to a tekmar House Control

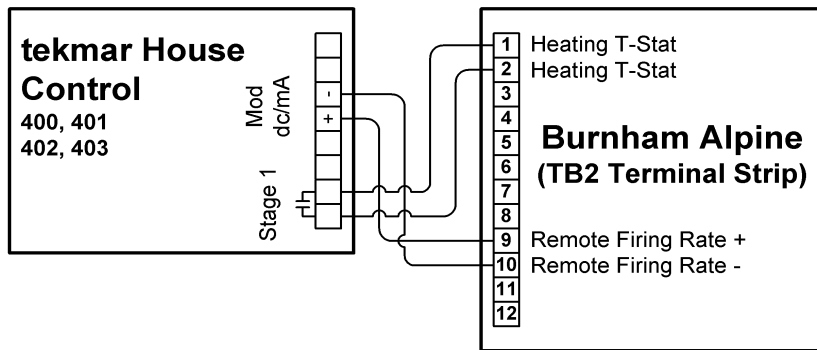


Figure 2: Wiring Diagram for a Burnham Alpine Boiler to a tekmar House Control

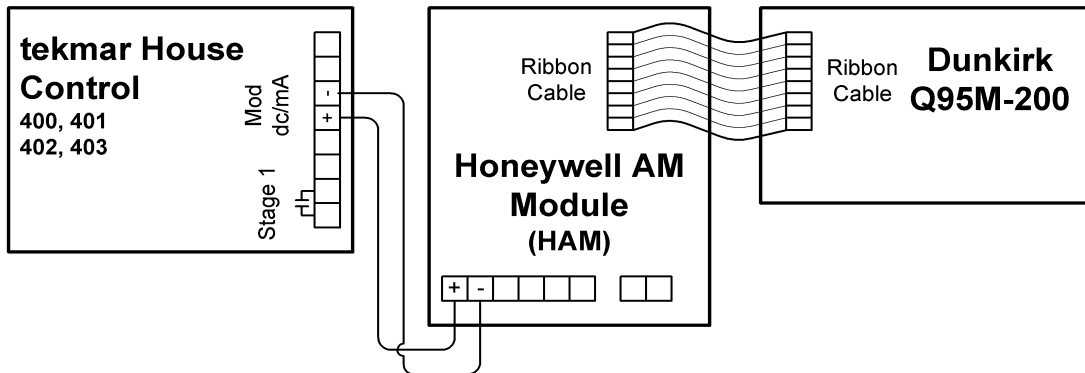


Figure 3: Wiring Diagram for a Dunkirk Q95M-200 Boiler to a tekmar House Control

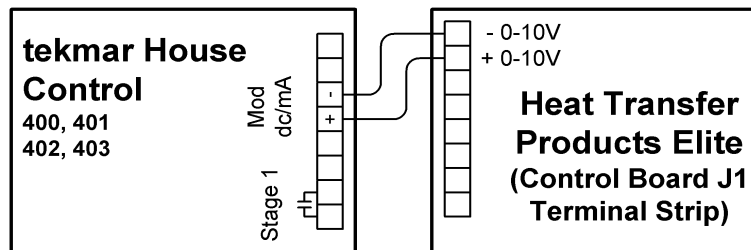


Figure 4: Wiring Diagram for a Heat Transfer Products Elite Boiler to a tekmar House Control

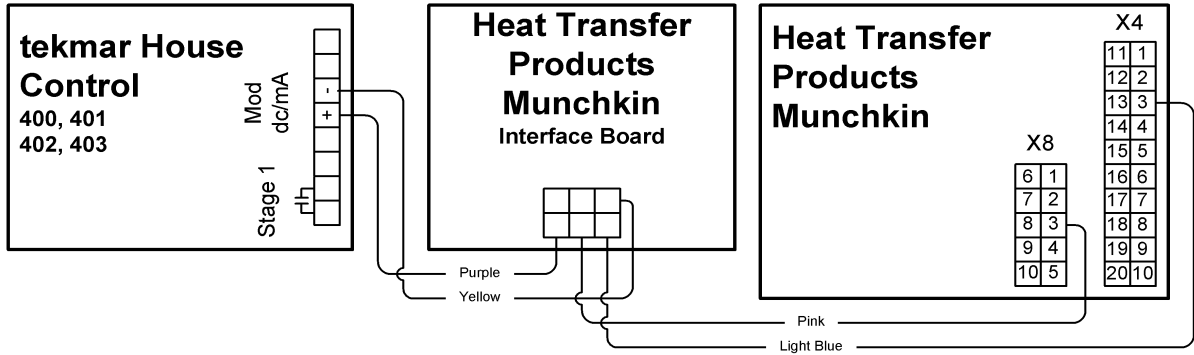


Figure 5: Wiring Diagram for a Heat Transfer Products Munchkin Boiler to a tekmar House Control

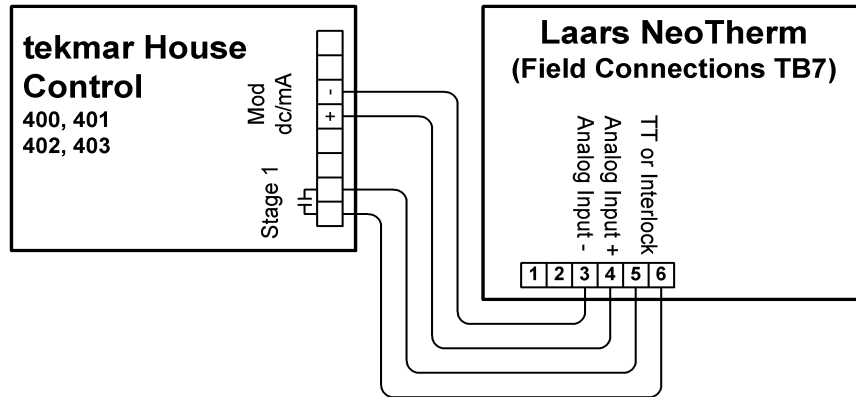


Figure 6: Wiring Diagram for a Laars NeoTherm Boiler to a tekmar House Control

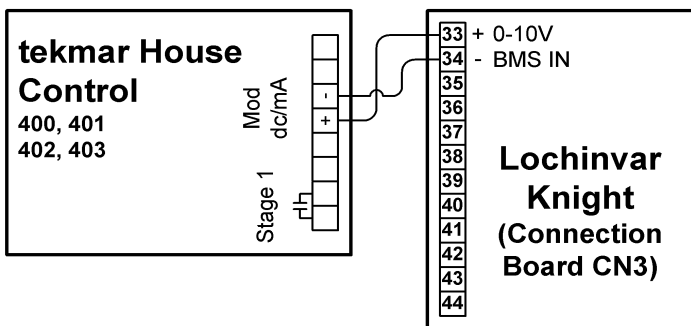


Figure 7: Wiring Diagram for a Lochinvar Knight Boiler to a tekmar House Control

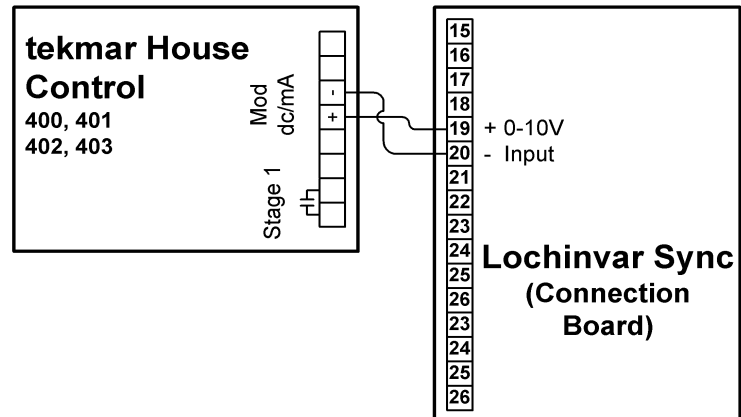


Figure 8: Wiring Diagram for a Lochinvar Sync Boiler to a tekmar House Control

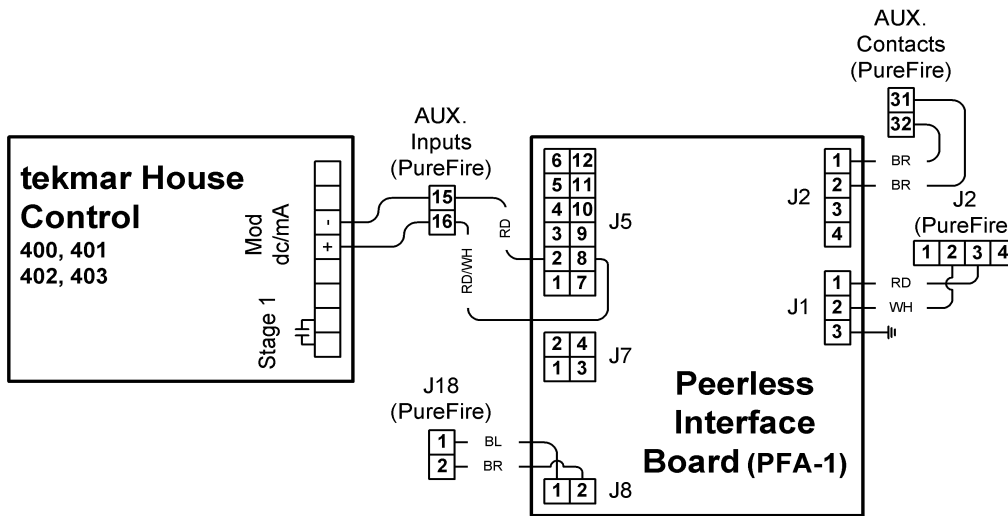


Figure 9: Wiring Diagram for a Peerless PureFire Boiler to a tekmar House Control

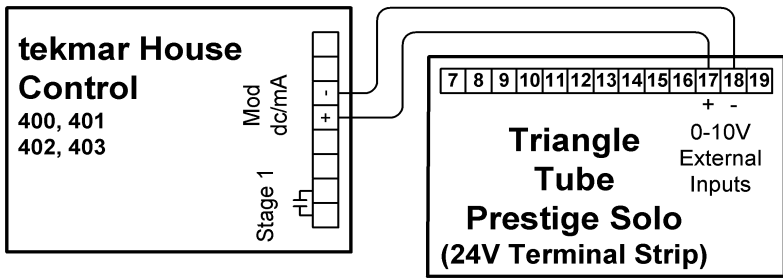


Figure 10: Wiring Diagram for a Triangle Tube Prestige Solo Boiler to a tekmar House Control

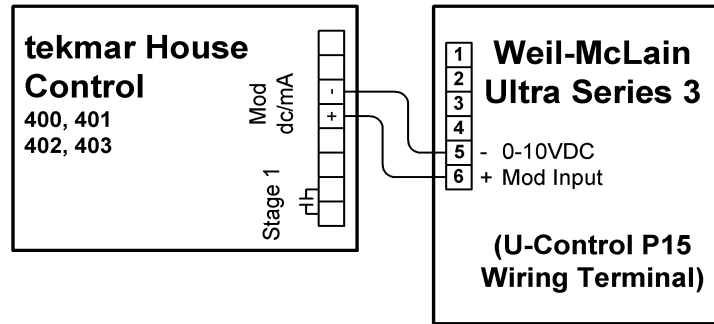


Figure 11: Wiring Diagram for a Weil-McLain Ultra 3 Boiler to a tekmar House Control

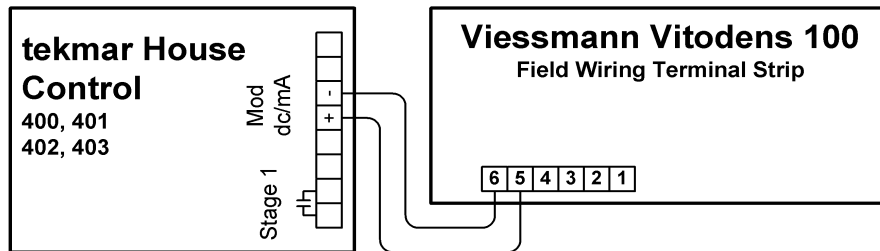


Figure 12: Wiring Diagram for a Viessmann Vitodens 100 Boiler to a tekmar House Control

PLEASE 'NOTE': Due to published changes made without notice by Boiler Manufacturers to their specifications and capabilities, tekmar Control Systems does not assume any responsibility for boiler manufacturers' amendments, modifications, deletions or changes nor does tekmar Control Systems accept any responsibility for the damage or personal injury due to unsafe and improper boiler operation that is guided by this 'Note' and by the manufacturer's installation and operating instructions.